

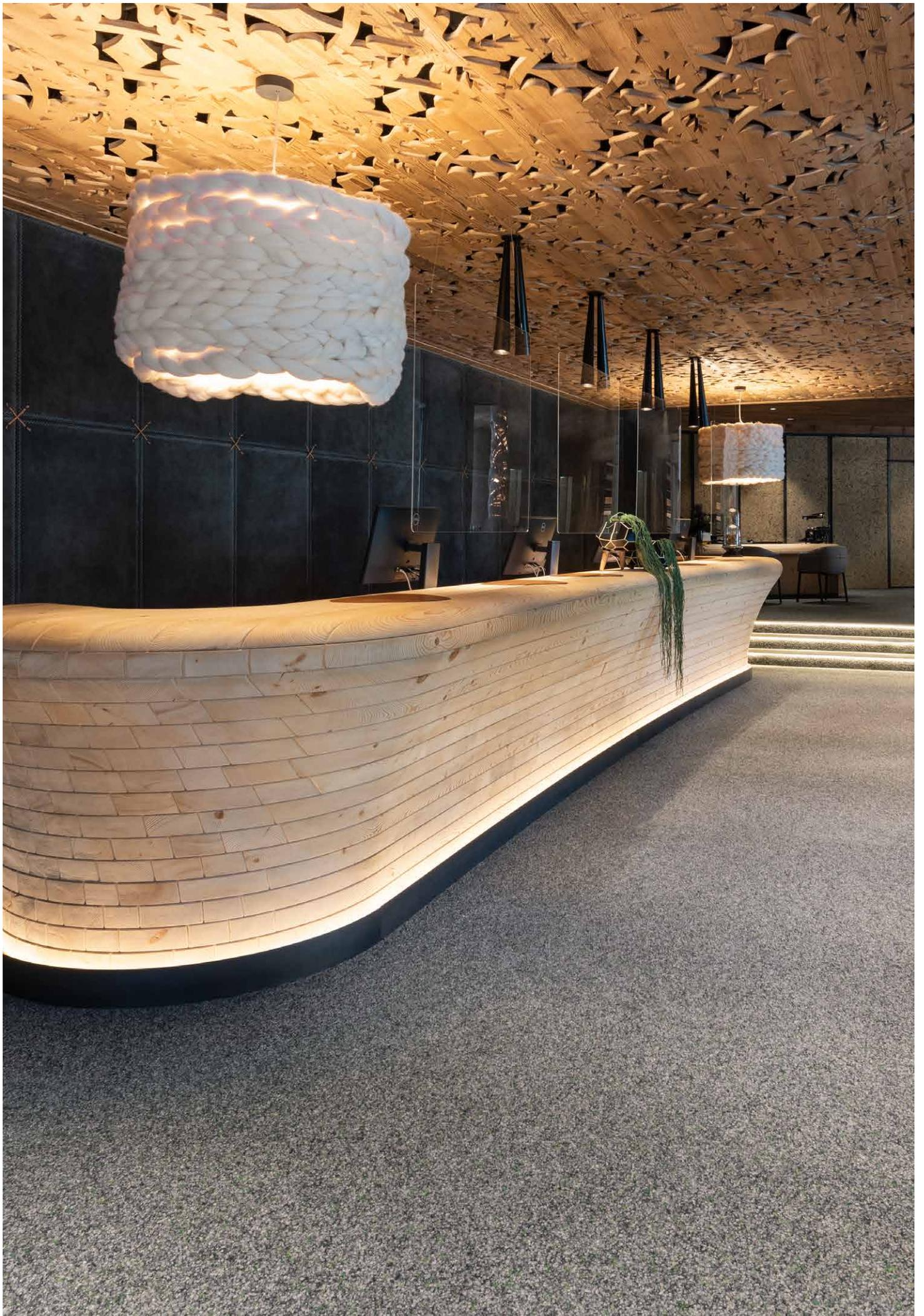
SWISSMADE 

Unique.

The flooring for all occasions.

fabromont


Kugelgarn®
by Fabromont



Hotel Jungbrunn, Tannheim/Tirol (A)

Kugelgarn® Resista COLORpunkt® oase 213
Client: Hotel Jungbrunn GmbH & Co. OG,
A-Tannheim

» Kugelgarn® by Fabromont

Uniquely **cost-effective.**

What makes floor coverings in commercial, residential and leisure buildings most economical? Their resilience, their ease of maintenance and their durability! As exemplified by the globally unique textile Kugelgarn® floor coverings from Fabromont. Classified in the highest wear class and suitable for use with castors, it has proven its superior durability thousands of times over in countless properties for the benefit of investors and building operators alike.

» Kugelgarn® – the indestructible floor covering

Investment protection through long-term value retention.



Robust

The exceptional robustness of the textile Kugelgarn® floor coverings is based on the careful selection of raw materials and the special manufacturing technology of Fabromont. The solution-dyed fibres are extremely lightfast and friction-resistant as well as resistant to most disinfectants. Due to their construction and the special optics of the pile, stains on the floor remain practically invisible.

Economical

Textile Kugelgarn® floor coverings can be laid direction-free without any visible cut edges. This minimises material losses due to wastage. Even major damage, for example from persistent burn marks, nail varnish or coffee stains, is not a problem. Matching repair pieces can be inserted inconspicuously and seamlessly in the affected area.

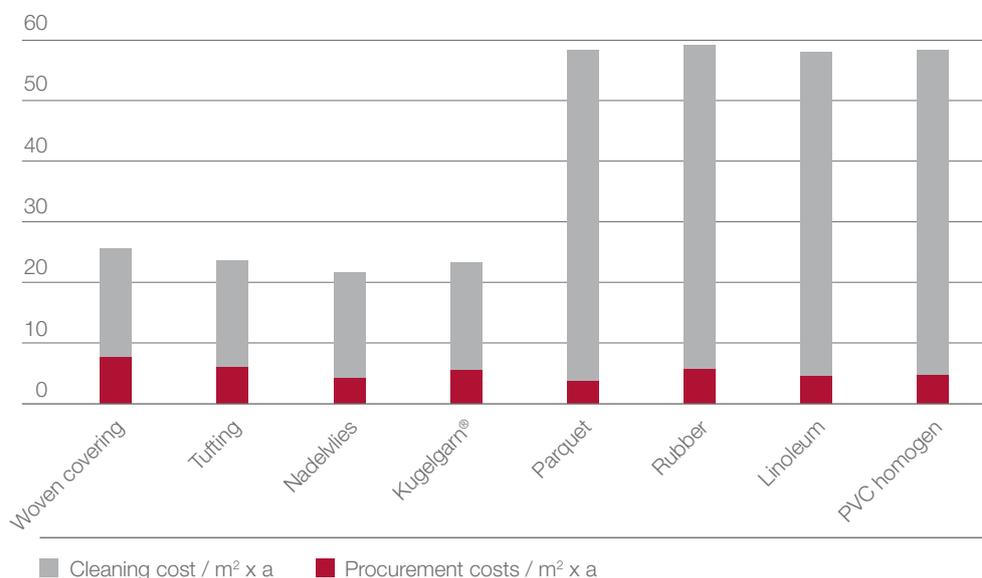
Timeless

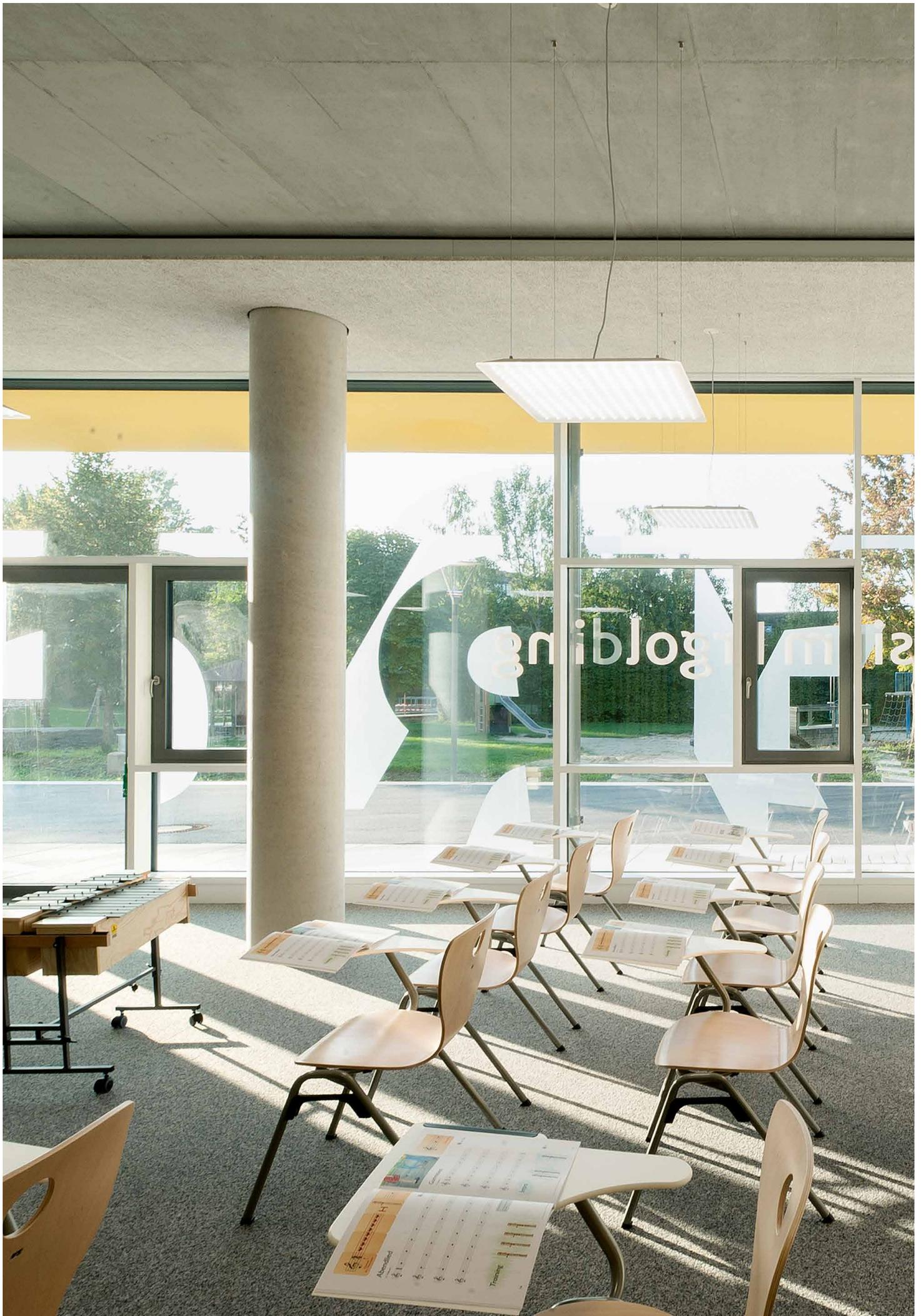
Not only do the Kugelgarn® products have an extremely long life, but so too, do their collections: Designs chosen today can be re-ordered for years to decades to come. The option for partial replacements or extensions is thus ensured over a long period of time.

Low maintenance

The highest costs are not incurred by procurement and laying of floor coverings, but in their maintenance. Kugelgarn® floor coverings are extremely easy to clean and maintain – best done with a brush vacuum cleaner. Due to the balanced blends of different fibre polymers, it is also very easy to remove stains.

Annual costs for different types of floor covering (CHF pro m² x a)





New secondary school Ergolding (D)
Kugelgarn® Atlas special colour, 4,400 m²
Client: District Office, Landshut
Architect: Behnisch Architects, Munich

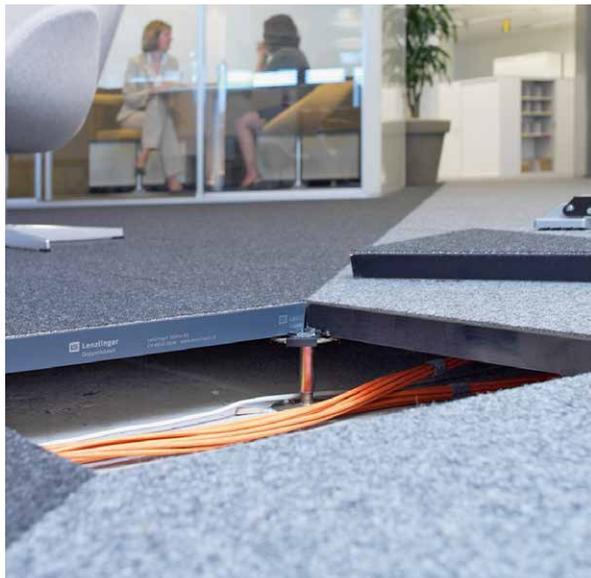
» Kugelgarn® by Fabromont

Uniquely high-quality.

High-quality products close gaps in needs and generate noticeable added value for the user. That's why Fabromont has been developing textile floor coverings for 50 years that never existed before. And which are characterised by special properties. As well as the unique Kugelgarn®, which is way ahead of its time and represents its very own generation of textile floor coverings. Invented and manufactured in Switzerland, used and appreciated wherever quality is required.

» Kugelgarn® – the innovative floor covering

Cutting-edge technology in Swiss top quality.



Trend-setting

Fabromont has developed a trend-setting textile floor covering with Kugelgarn®. It forms a class of its own alongside woven, tufted and needle felt floor coverings. Starting from selected fibre raw materials, yarns are spun into the typical three-dimensional shape and processed into hard-wearing, prestigious floor coverings for the demanding contract sector.

Meticulous

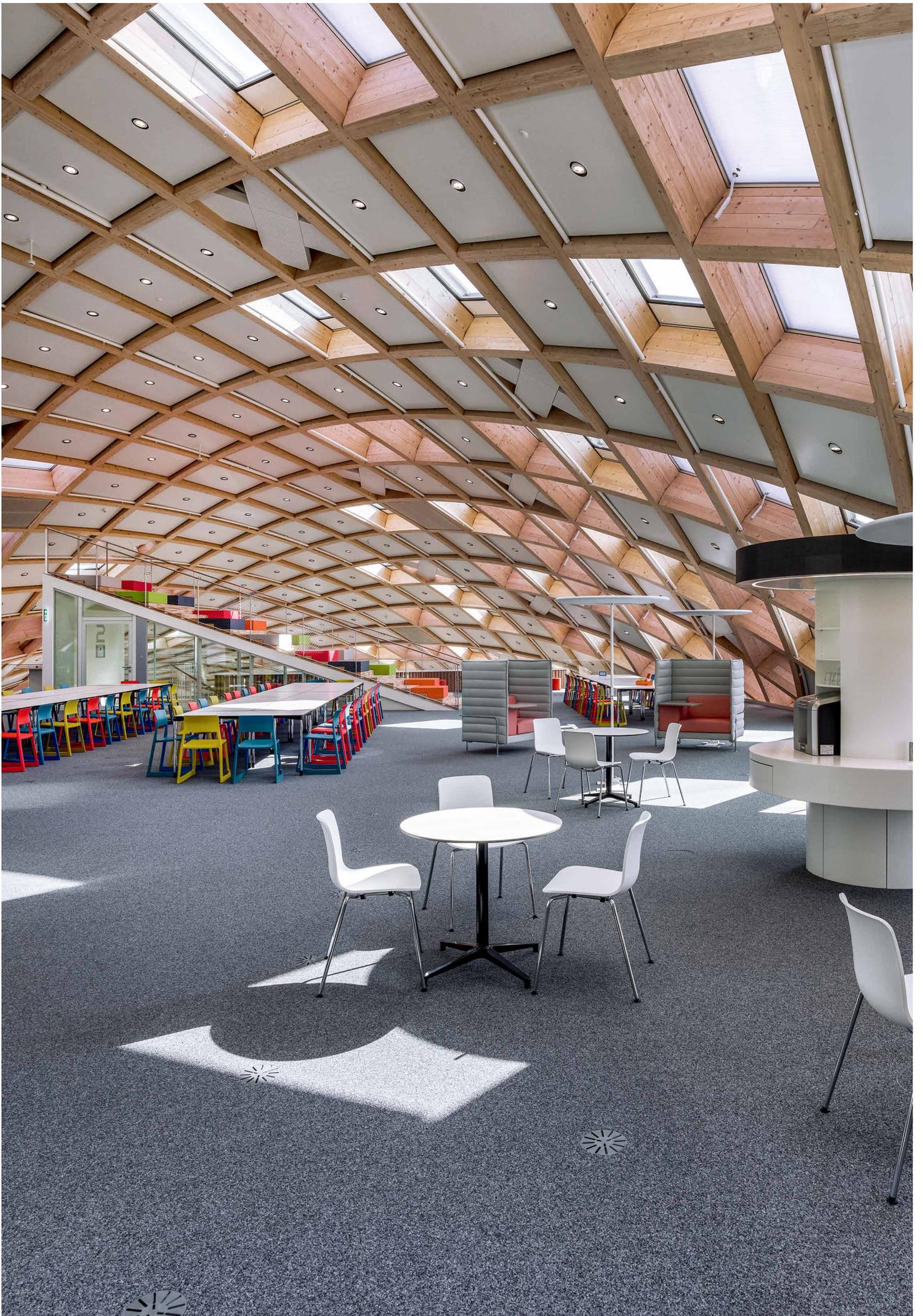
Swiss quality is a promise, and its fulfilment has always been a top priority for Fabromont. In their fully integrated factory, each sub-process – from fibre preparation to spinning, blending and production – is carefully coordinated. This ensures that every Kugelgarn® floor covering fully meets the requirements.

Impressive

The pile layer of the textile Kugelgarn® floor covering consists of countless, specially-mixed fibre spheres. The result is an impressive, extremely durable, seamlessly elegant and strikingly three-dimensional looking surfaces. The high colour fastness and practical indestructibility without leaving permanent impressions or traces of furniture, castors, etc., guarantee an independent, consistent appearance over a long period of time.

Versatile

The high quality of Kugelgarn® pays off not only because of its enormous durability and longevity. It also promotes a feeling of well-being and increases safety in the building – both in terms of slip resistance and in fire protection, too.



Swatch Headquarters, Biel (CH)

Kugelgarn® Atlas silberpappel 861

Client: Swatch AG, CH-Biel

Architect: Shigeru Ban Architects Europe, F-Paris

» Kugelgarn® by Fabromont

Uniquely adaptable.

Floors are eye-catching. Depending on the type and design, they may either appear rather rejecting or they invite people to enter and stay awhile. Even visually, Kugelgarn® conveys a feeling of safety and security and of well-being – in offices and schools as well as in residences, hotels and leisure facilities. Just as the requirements for use, functionality and architectural design concepts demand.

» Kugelgarn® – the shapely floor covering

Creative freedom for interior design.



Aesthetic

Kugelgarn® offers almost unlimited possibilities for seamlessly integrating floor coverings into the overall architectural concept. A wide range of colours, laying forms and surface structures also make it an active design element – on both large and small surfaces, either discreetly or deliberately setting accents.

Flexible

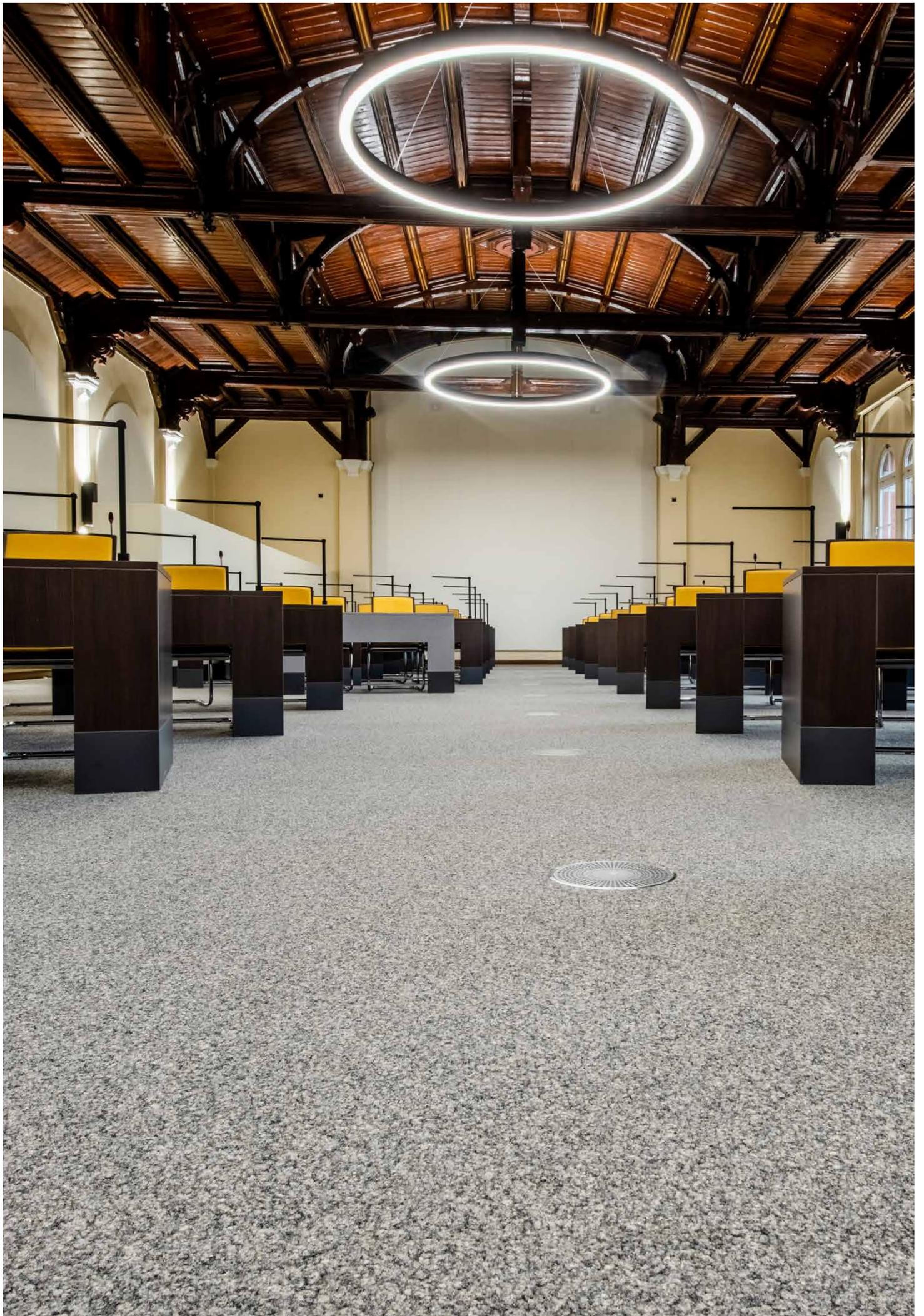
Whether straight or curved spatial geometry – Kugelgarn® adapts to any floor plan and is easy to cut, and is both direction and repeat-free. Even unusually designed surfaces can be covered cleanly and easily – without visible seams and disturbing edges.

Diversified

A balanced colour concept has either a calming effect or invigorates the senses. Kugelgarn® is available in over 100 colour schemes. Different designs – square, rectangular or ornamental – can be seamlessly integrated into the overall surface. This is pleasing to the eye and encourages a motivating working and learning environment.

Practical

Kugelgarn® can be laid easily and quickly on all common subfloors, cement, anhydrite or dry screeds – as well as on landings and stairs. The use of self-laying modules or fixed-application tiles allows uncomplicated access to the installations in raised and cavity floors.



Kadette Naumburg, Naumburg (D)

Kugelgarn® Creation granite 320

Client: Federal Language Office, D-Naumburg

Branch/Federal Armed Forces

Architect: Architect's Office Klappach, D-Merseburg

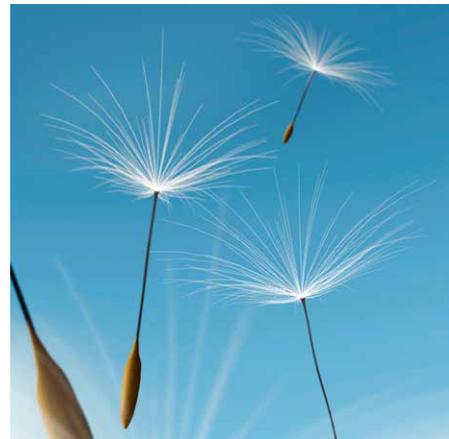
» Kugelgarn® by Fabromont

Uniquely **comfortable.**

Where people work, play, live and spend their leisure time, clean air, a high level of comfort and balanced room acoustics have a pleasantly invigorating effect. With a number of specific properties, textile Kugelgarn® floor coverings help to prevent allergies and fatigue and dampen noise. This way, users feel good and stay healthier.

» Kugelgarn® – the protective floor covering

Healthier indoor climate with better air and less noise.



Hygienic

Fine particles and dust allergens such as pollen etc. can trigger or increase health problems. The large specific fibre surface of Kugelgarn® has been proven to absorb a significant amount of these harmful substances from the indoor air. During cleaning, these are then simply vacuumed at regular intervals. Measurements commissioned by the German Allergy and Asthma Association (DAAB) showed that in premises with a textile floor covering, the concentration of fine dust was on average less than half as high as those with hard coverings.

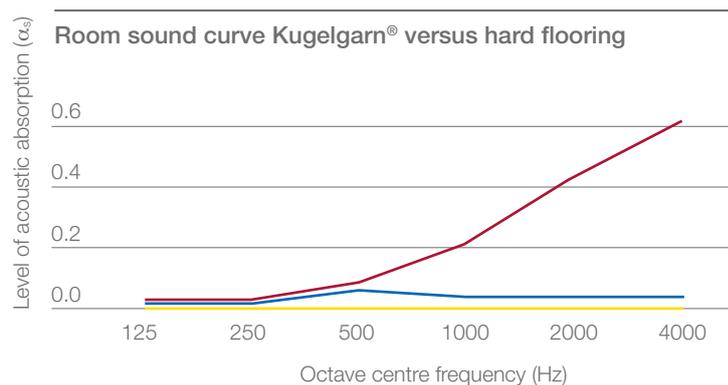
Relieving

Painful legs and joints after a long day at work, a visit to the museum or after playing games and sports make one tired and exhausted. The textile surfaces of Kugelgarn® have a pleasant cushioning effect on the musculoskeletal system when walked on. This contributes significantly to recuperation and well-being.

Sound absorbing

Noise – caused by whispering, footsteps or falling objects – disturbs concentration and leads to a drop in performance. In classrooms, auditoriums, music rooms or cinemas, interference-free, undistorted sound transmission is essential. Kugelgarn® dampens room and impact sound and contributes to good room acoustics. This is documented by the readings below.

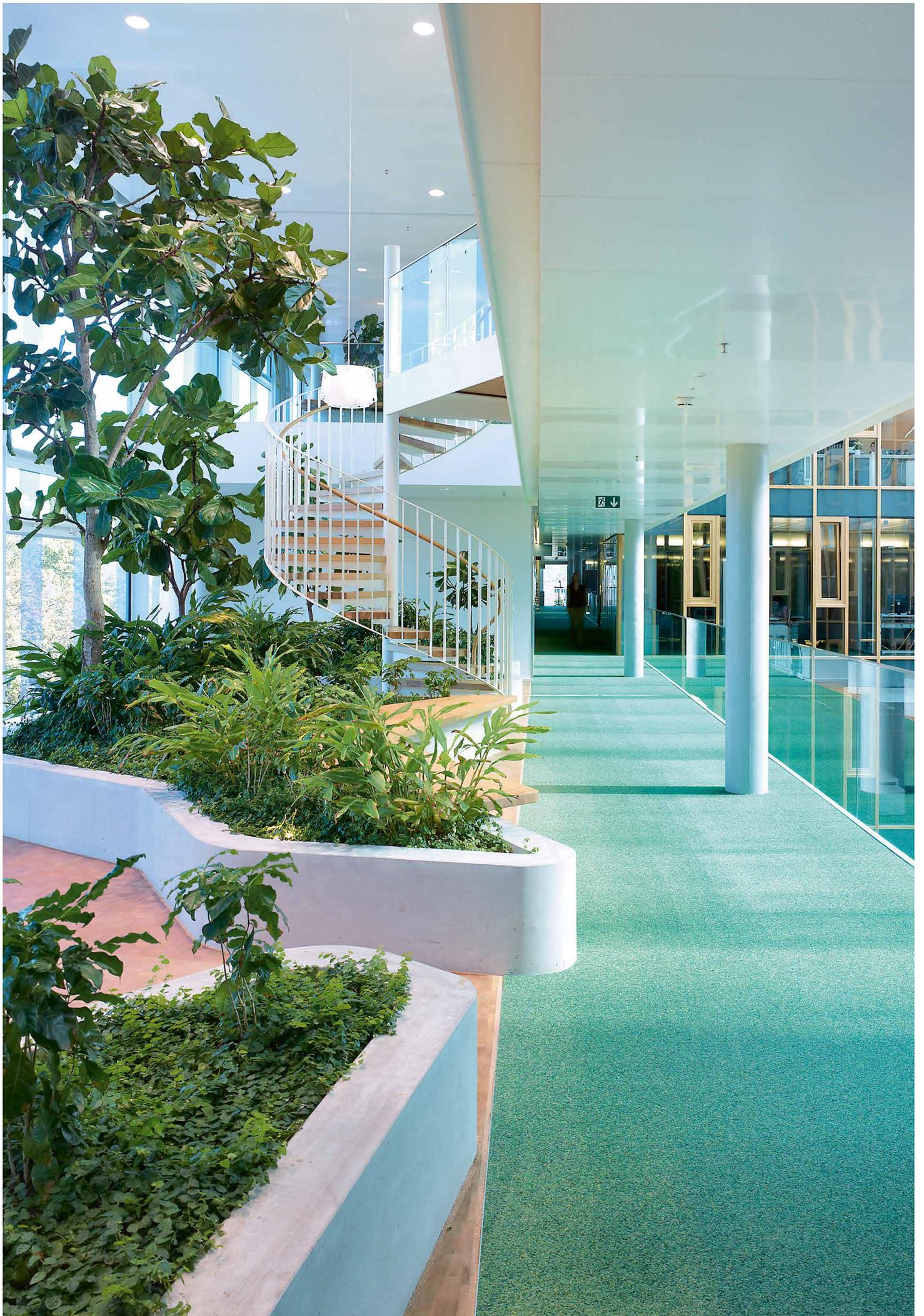
"Room acoustics in everyday life" by Christian Nocke, Fraunhofer IRB Publishers, 2014



Rated impact sound reduction according to ISO 140-8

	ΔL_w
Kugelgarn®	20 dB
Linoleum	4 dB
PVC	4 dB
Rubber	6 dB
Epoxy	0 dB

— smooth floor — non-textile floor — Kugelgarn®



OMPI, Geneva (CH)

Kugelgarn® Atlas special dye, 11'458 m²
Client: WIPO (World Intellectual Property
Organisation), CH-Geneva
Architect: Behnisch Architects, D-Stuttgart

» Kugelgarn® by Fabromont

Uniquely responsible.

Acting responsibly towards people and the environment is not just lip service for Fabromont. As a founding member of the Swiss Association for Sustainable Business (ÖBU), it has been committed to ecologically optimised action at all levels of the company since 1989 - from the procurement of raw materials to production, distribution and disposal. The comprehensive way of thinking and acting also extends to safety and health protection as well as the economic efficiency of Kugelgarn®.

» Kugelgarn® – the non-hazardous floor covering

Comprehensive protection for people and their environment.



Sustainable

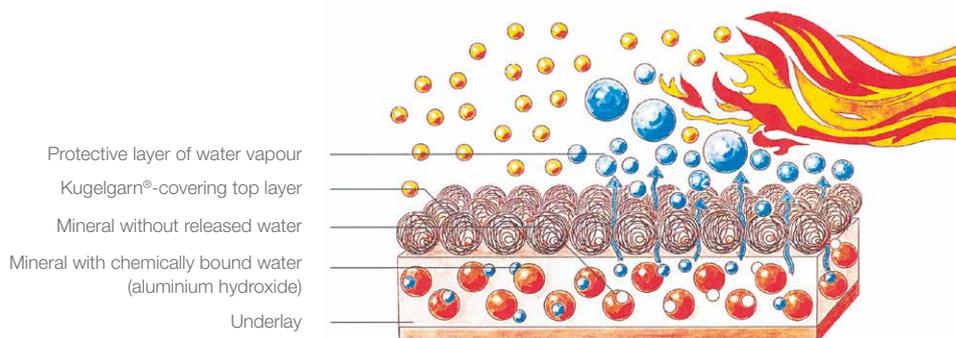
Textile Kugelgarn® floor coverings are manufactured without the use of bitumen, PVC or any other halogen compounds. They have been tested for harmful substances by the GuT Association of Environmentally friendly Carpets and they do not have a heavy backing. This reduces the disposal volume for self-laying modules by around 50 percent. The EPD environmental declaration based on ISO 14025 and EN 15804 documents the life-cycle assessment and provides the basis for building certifications according to all common standards such as DGNB or LEED.

Non-slip

Smooth floors harbour accident risks that should not be underestimated and, depending on the severity of the incident, result in high costs as well as long work absences. As a textile underlay, Kugelgarn® on the other hand, is totally non-slip (class DS). Nevertheless, should something happen due to carelessness, Kugelgarn® absorbs the impact and thus reduces the risk of injury. Falling objects are also less likely to break.

Fire-resistant

Kugelgarn® floor coverings have a specially-developed flame-extinguishing layer made of completely non-toxic aluminium hydroxide. On contact with fire, this splits off water and thus contributes to extinguishing. This leaves more time for evacuation. In the event of fire Kugelgarn® does not emit toxic pollutants such as dioxin because it does not contain any halogen compounds.



Personally advised, fast service.

Rational

Textile Kugelgarn® floor coverings can be laid extremely efficiently. Depending on the requirements, they are available in six combinable forms of delivery – as sheeting in rolls for full-surface bonding and as modules or self-laying sheeting for loose laying on adhesive fixation. The Quickstep® type with built-in protective edge facilitates laying on stairs. Tiles in any rectangular dimension can be permanently applied to raised floorboards. For high demands on room acoustics, the variant with acoustic backing is used.

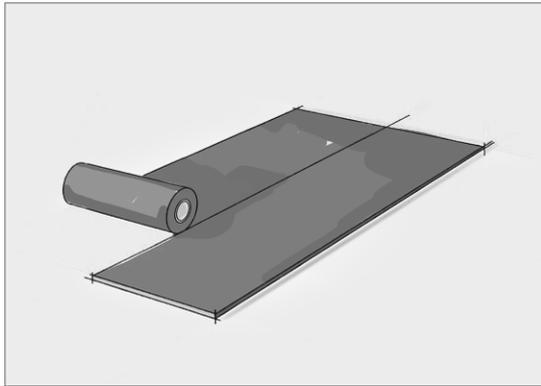
Fast

Once it has been decided which covering is to be laid, it usually has to be done quickly. This is no problem for Fabromont. Kugelgarn® standard versions can be ordered immediately in quantities of up to 1000 m² from the large finished goods warehouse - also for deliveries. In eleven qualities and over 100 collection colours. It only takes a few days from the order to delivery.

Personal

Personal service is more important to Fabromont than the digitalisation of services. The central customer service in Schmiten, Switzerland, provides planners, operators, and installers with advice and assistance by telephone. Our field service supports interested parties on site

» Ready for laying

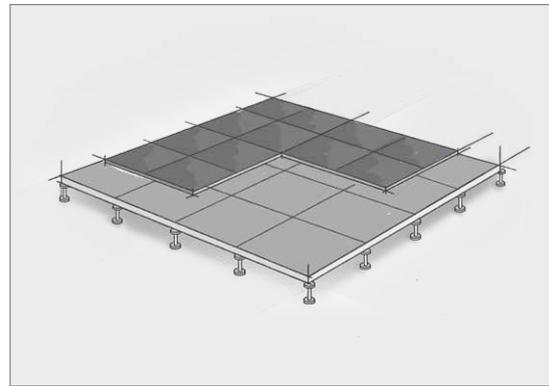


Broadloom

For full-surface bonding,
width 200 cm

Self-laying broadloom

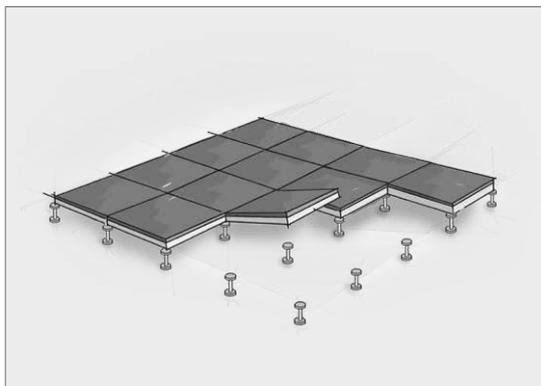
For loose laying on adhesive fixation,
width 205 cm



Modules

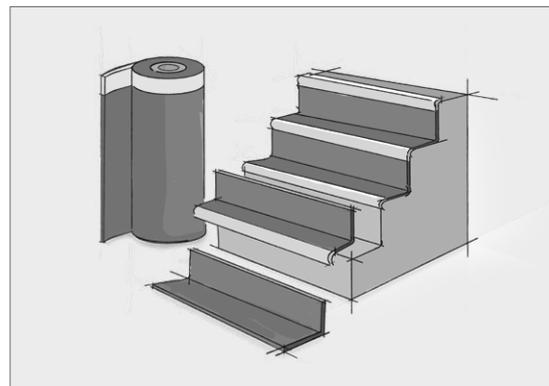
50x50 cm, 60x60 cm,
50x100 cm

For loose laying on adhesive fixation



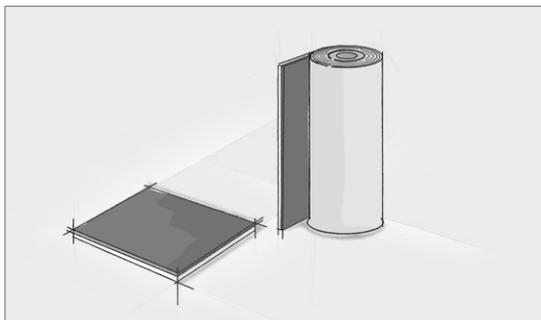
Tiles 61 x 61 cm

For full-surface bonding on raised
floor elements 60 x 60 cm.



Quickstep® stair covering

With integrated stair guard edge
width 50 cm



Acoustic flooring

With sound-absorbing woolwave® special backing
width 200 cm

Notes:

Conductive versions (<math>< 10^8 \text{ Ohm}</math>) and special colours are possible for all contract floorings.

Please ask for the corresponding minimum order quantities.

Objectively documented, **comprehensively informed.**

Would you like to know more about Kugelgarn® and its possible applications in your objects?
As a floor layer, are you interested in in this unique floor covering?

Then simply contact us using the form below. We look forward to advising you and will
also be happy to provide you with documentation of our extensive sample collections –
or, if desired – with large individual samples.

You will find more information and inspiring reference objects when you visit our website.

www.fabromont.ch

Information form

Please complete and return by mail to kontakt@fabromont.ch; by post or fax to +41 26 497 88 66.

Please send me the following documents:

Newsletter

- Please send me the company magazine
«fabroinfo» on a regular basis (available in
German only)

Personal consultation

- Please get in touch with me.

Sender

- Mr Ms

First name

Last name

Company

Street no.

Post code, city

Country

Telephone

Fax

Place stamp
here

Fabromont AG
Industriestrasse 10
3185 Schmitten
Switzerland

Kugelgarn®

Cost-effective

- Low wastage
- Can be laid without repeats
- Fringe-free cut edges

Durable

- Resistant to most disinfectants and stain removers
- Light and friction-proof

User-friendly

- Extremely hard-wearing
- Easy in care and maintenance
- Impact and room sound insulating

Responsible

- Integrated toxin-free flame retardant
- Free of pollutants
- Environmentally friendly